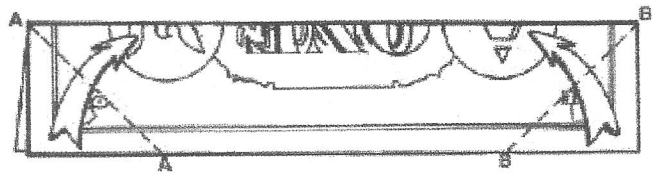


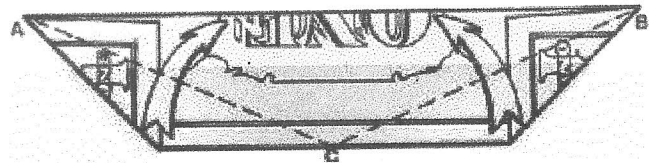
I've heard you can fold a dollar bill into the Rabbit Head. How is that done?

We first shared the buck rabbit with readers in our December 1979 issue. It was created by Bill Caruba, author of "The Magic of Folding Money." If you're less interested in folding money than in making it, move on; we can't guarantee our legal-tender lapin will multiply like you know what.

1. Begin with a **crisp** dollar bill. Moisten your fingers for optimum grip and go to work. Place the bill before you, Washington's face up. Bringing the top down, toward you, fold the bill in half. Then fold the corners up along dotted lines A-A and B-B.



2. Next, fold the corners up along dotted lines A-C and B-C. Note that while the drawing shows C as a point, you should leave about a quarter-inch gap between folds.



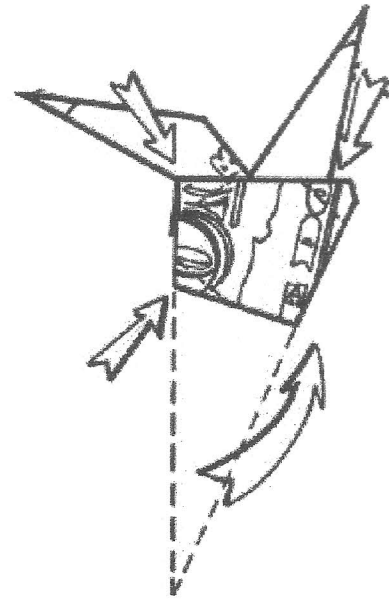
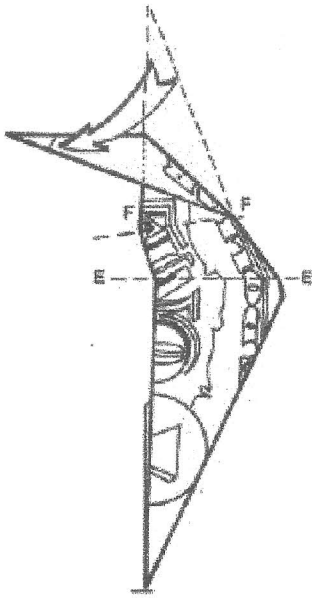
3. Now flip the bill over and rotate it to a vertical position with the straight edge on the left. Turn the first ear down as shown. Make an accordionlike fold along lines E-E and F-F, bringing the upper fold backward and the lower fold forward so that fold F-F lies just under the R in DOLLAR.



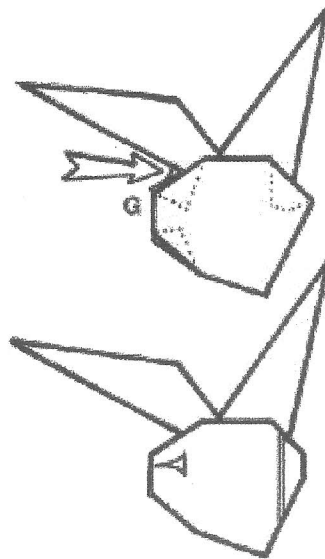
Continued

PLAYBOY

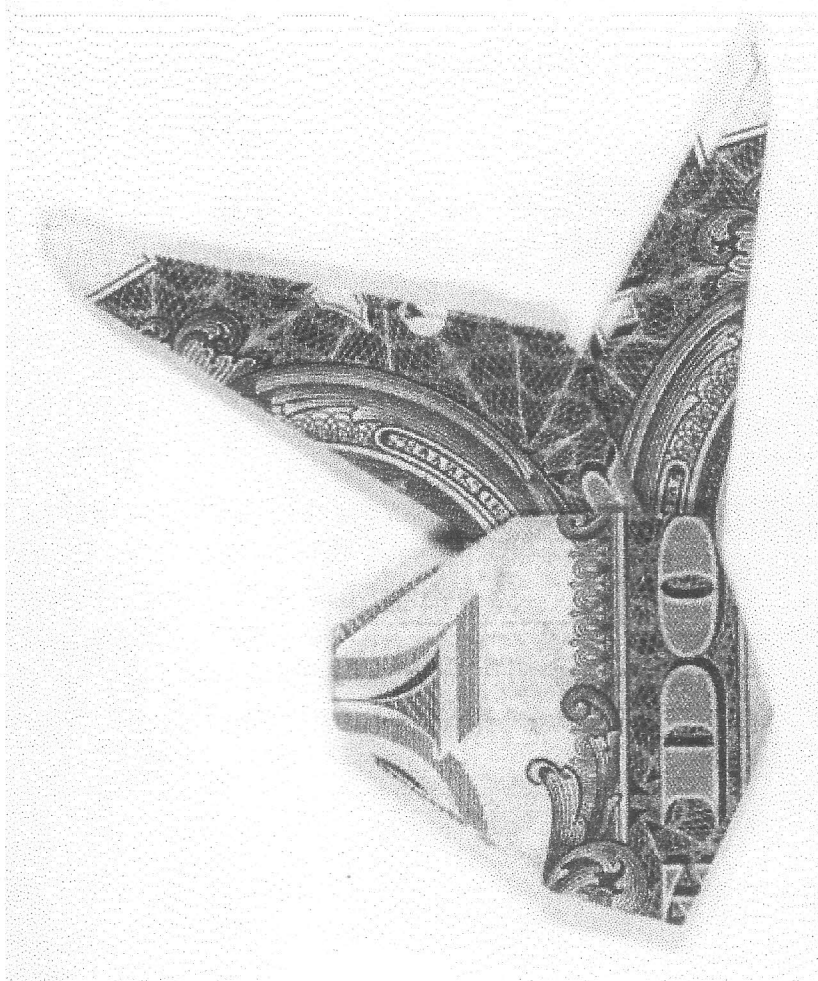
Fold the lower point of the bill behind and upward so that it just takes the edge off the E at the bottom of the bill and forms the right ear



5. Shape the rabbit head by tucking in the corners and the protrusion at the base of the forward ear (G) (below). Adjust the left ear to desired size by pushing it down or over slightly. The corner of the N in ONE forms the rabbit's eye.



Ta-Da! The Buck Rabbit



Now hold on to your dollar till the rabbit grins.

PLAYBOY